

# one PTTS02

## Installation Manual

Push-To-Talk Microphone ONE-PTT for ONE systems.



## Safety information

1. Read these safety instructions and keep them in a safe place.
2. Download and read the latest version of the device's manual from:  
[www.lda-audiotech.com/en/web-support/](http://www.lda-audiotech.com/en/web-support/)



### **Please, read the user's manual.**

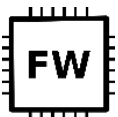
Important information about installation and use.



### **Caution!**

Person can be Injured, or equipment can be damaged if safety instructions are not followed.

3. Cabling and installation by qualified personnel only. Use the right cables to make connections.
4. Device shall be connected to a mains power outlet socket with a protective earthing connection.
5. Mains powered device shall be accessible to being unplugged and safe from being stepped on or pinched.
6. Mains power outlet or mains plug shall be accessible.
7. Be sure of the polarity when unit is powered by a constant current source. Reverse polarity may damage the unit.
8. In case the device contains batteries, only use recommended batteries. Risk of explosion if an incorrect type of battery is used.
9. Install the unit in a safe place to avoid injury from falling over or use certified mounting supports.
10. Devices for vertical mounting (wall) with a user interface shall only be mounted in an accessible height.
11. Side grids are used as ventilation. Please let a free space of 5cm between the unit and the nearest surface to ensure proper ventilation.
12. Device shall not be exposed to dripping or splashing and no objects filled with liquids shall be placed on the device. Do not use liquid detergent or sprayed to clean the unit. Do not expose the unit to moisture.
13. Do not place naked flames sources such as candles on the unit.
14. Do not install the unit near to heat sources such as heaters.
15. Do not access to de inside of the unit. Unit may only be opened by service personnel due to security reasons.
16. Unplug mains power before handle or clean it.
17. Please, let qualified personnel inspect the unit If one of these situations happens:
  - a. Mains source or mains plug is damaged.
  - b. Device was exposed to water.
  - c. Device was exposed to moisture.
  - d. Device does not work or does not get it working properly following the unit's manual.
  - e. Device falls and is damaged.
  - f. Device has visible signs of damage.



**Keep devices updated to its latest firmware version.**

## **CONTENTS**

1. LDA Dynamic push to talk magnetic microphone.
2. Cable patch to fix in ONE cabinet. Includes a 34mm tap and microphone connector.
3. ESD bracelet to avoid any damage in internal circuits.

## INTRODUCTION

The **ONE-PTTS02** dynamic microphone extends the versatility of **ONE500 V03** devices, adding **PA/VA** control in accordance with **EN54-16** certification.

Push To Talk microphone is directly connected to the main **ONE500**'s control board to its dedicated port.

**ONE-PTTS02** is provided with a mounted magnet, you can attach this microphone to any metal surface and pick it up for a quick and easy call.



**ONE-PTTS02 PA/VA** microphone is compatible with **ONE500 V03** devices.

## DESCRIPTION

**ONE500 V03** systems incorporates a high-quality PTT microphone preamplifier. This provides to the user the simplest installation method for the **ONE-PTTS02** function in **ONE500 V3** systems.

ONE-PTT preamp circuitry takes priority over other audio sources by pressing the PTT button.

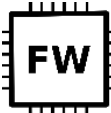
## CONFIGURATION

Before the **ONE-PTTS02** installation (see QUICK INSTALLATION GUIDE), user can define its usage case following the related title founded in the user manual.



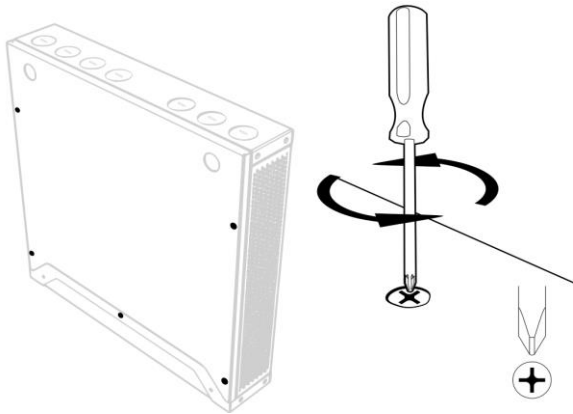
**Download the latest ONE 500 v3 User Manual**

<https://lda-audiotech.com/en/web-support/>.



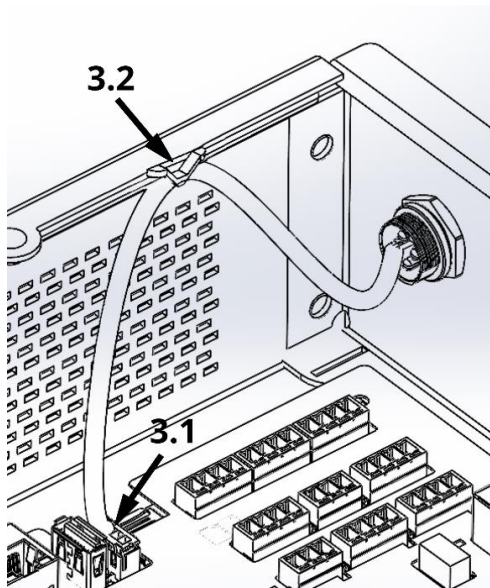
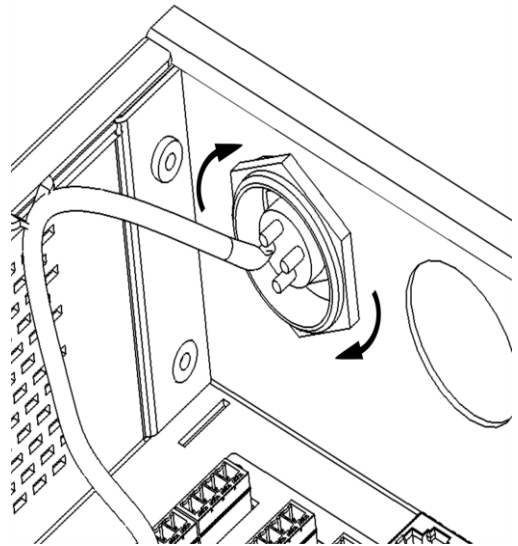
**ONE-PTT S02 needs v03.01.01.XX or above firmware.**

# QUICK INTSALLATION GUIDE



1. Turn off the device, then, open the top cover by removing the 5 screws.

2. Carefully, open the rear pre-cut die opening by moving it up and down using a screwdriver.
  - 2.1. Screw the connector in the rear opening. It can be placed either on the first or on the second cut-die, close to the control board.
  - 2.2. Use the ESD bracelet attached to any unpainted metallic surface of the device to avoid electrostatic discharge on the electronics, which could damage the equipment.



3. Installing the connector:
  - 3.1. Insert the 4-pin connector in its dedicated ONE-PTT input next to the USB port.
  - 3.2. Fix the cable to the chassis using a nylon tie.

4. Fix the microphone to the chassis using its magnetic attachment, no screws are needed.
5. Close the device and configure PTT microphone functionality following the previously downloaded User Manual in configuration title.

