

one LOOP

User Manual

Expansion module ONELOOP for ONE500 V2 systems.



SAFETY INSTRUCTIONS

Please, read carefully these safety instructions.

1. Save this User Manual for future reference..

2. The equipment should not be exposed to water or splashing and objects filled with liquids should not be placed on the equipment. Do not use liquid or spray detergent for cleaning. Do not expose this equipment to wet areas.

3. No flame sources, such as lighted candles, should be placed on the equipment.

4. Install this equipment following this user manual. If you do not place the equipment correctly, it may fall and be damaged.

5. Do not remove or manipulate the plastic protective film of the module.

6. Before beginning the module installation put the ESD bracelet on your wrist and stick the other end to any metallic part inside of the equipment that is not painted.

7. The equipment must be installed by qualified or trained personnel.

8. The wiring must be carried out only by trained personnel. Disconnect the audio inputs and outputs while making connections or disconnect the equipment from the power supply. Be sure to use the proper cables to make the connections.

INTRODUCTION

The ONE-LOOP04 and ONE-LOOP10 range of accessories are expansion modules for the ONE system which add an additional communication port to the equipment, making it possible to interconnect ONE-500 units to form a unified system of up to 60 zones.

The ONE-LOOP module provides redundant communication so that the system can be monitored and controlled according to EN54 requirements.

There are two models available that allow systems of up to 4 units and 24 zones with the ONE-LOOP04 model or up to 10 units and 60 zones with the ONE-LOOP10 model.

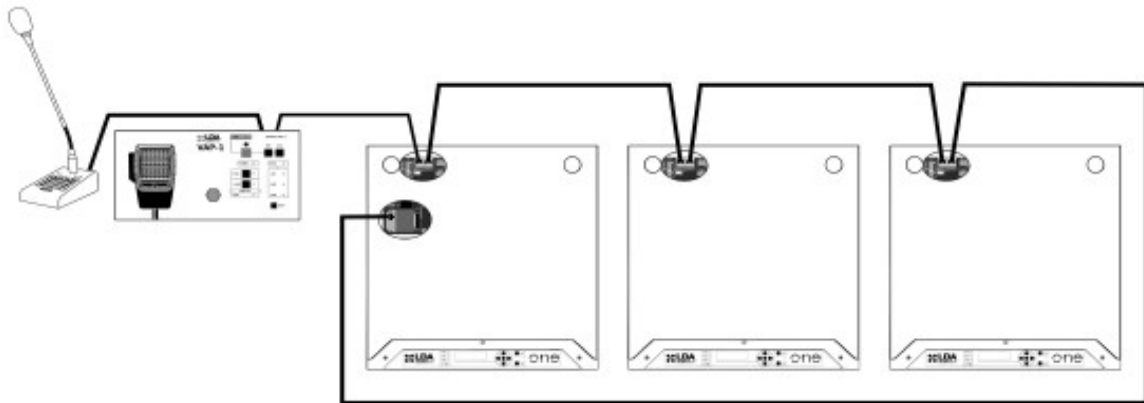


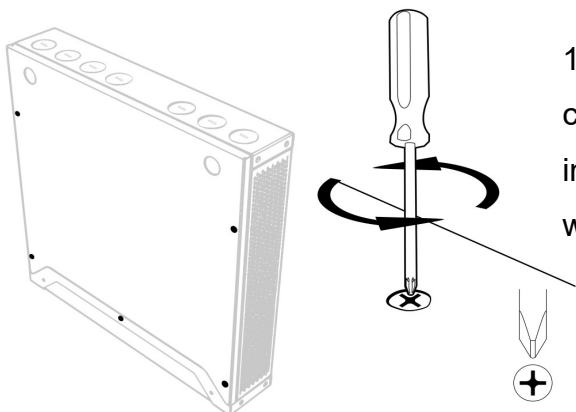
Figure 1: Sample of three units system.

USER MANUAL

The ONE system must have **Firmware version v2.0.0.0** or higher to be compatible with ONE-LOOP expansion cards and ONE system expansion.

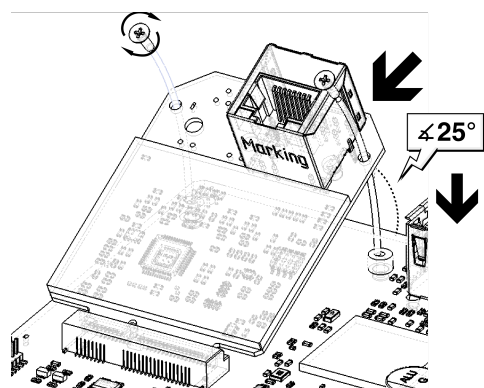
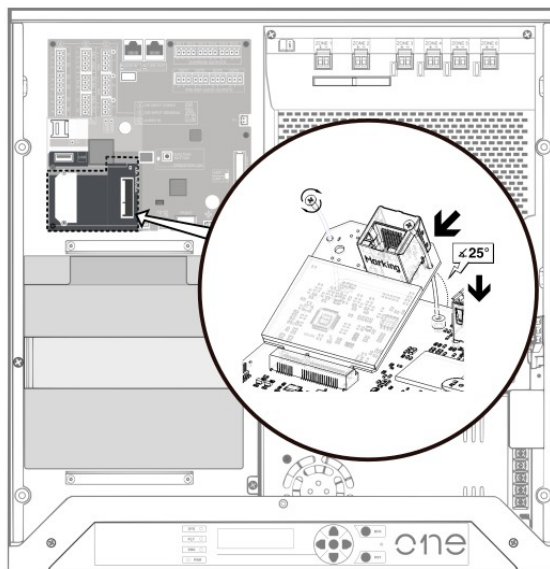
The updated version of the user manual and firmware can be downloaded from the LDA support website “<https://support.lda-audiotech.com/>”

QUICK INSTALLATION GUIDE

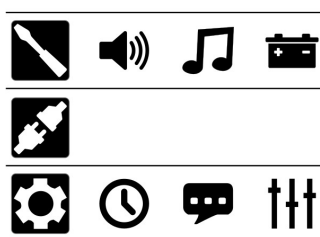
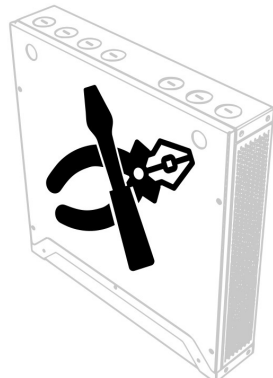


1.- With the equipment turned off. Open the cover by removing the 5 screws shown in the image on the left. They must be placed again when the device is used

2.- Before beginning the module installation put the ESD bracelet on your wrist and stick the other end to any metallic part inside of the equipment that is not painted. Find the PCI port on the control board.



3.- Insert the ONELOOP Module at 25° into the connector, rotate until it is parallel to the motherboard, insert the M2x6mm screws using the Phillips screwdriver "PH1" provided in the box.



4.- Make the connection of the RJ45 cable from the last equipment to the module installed in the first one.

5.- In the menu screen, go to Configuration/System/Run Discover, introducing the L3 pass (0003 by default). Press "OK" to automatically run the configuration.

