

5" surface mount speaker EN 54-24 for 70/100V lines both for music and high quality voice applications. It is designed for surface installation, both for ceilings and walls.

The DS-60TN surface speaker includes a metal cabinet that protects it from fire and vandalism. It incorporates a ceramic terminal and insulation fuse so any possible damage to the unit does not cause a general failure of the speaker circuit to which it is connected. These features ensure the integrity and intelligibility of the system to be maintained in the event of evacuation.

### Features:

- Surface Speaker for Voice Evacuation
- Metal cabinet
- Protected against fire. EN 54-24 certified
- Ideal for music and voice messages
- Easy installation



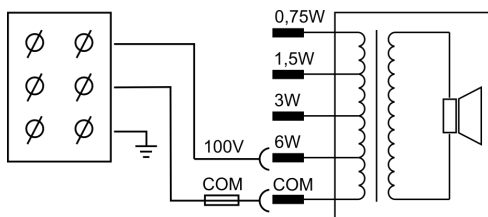
### Technical specifications:

Model	DS-60TN			
Reference	LDADS60TNS02			
Speaker diameter	5"			
Maximum Power	9 W			
Nominal Power	6 Wrms			
Connection @ 100 V	6 W / 3 W / 1.5 W / 0.75 W			
Connection @ 70 V	3 W / 1.5 W / 0.75 W / 0.375 W			
SPL (Pmax / 1m)	95 dB +/- 1dB			
SPL (1W / 1m)	87 dB +/- 1dB			
SPL (1W / 4m)	75 dB +/- 1dB			
Frequency Response (- 10 dB)	300 Hz - 15 KHz			
Dispersion (-6 dB )	500Hz	1000 Hz	2000 Hz	4000Hz
	180°	180°	90°H 100°V	90°H 100°V
Nominal voltage	100 V / 70 V			
Nominal impedance	1.7 kΩ / 3.3 KΩ / 6.7kΩ / 13kΩ			
Connection	Ceramic terminal. Max Section 2.5mm <sup>2</sup>			
Thermal fusion	150°			
Dimensions	170 x 170 x 63 mm			
Colour	White (RAL 9016 )			
IP protection	IP21C			
Net weight	1.5 Kg			

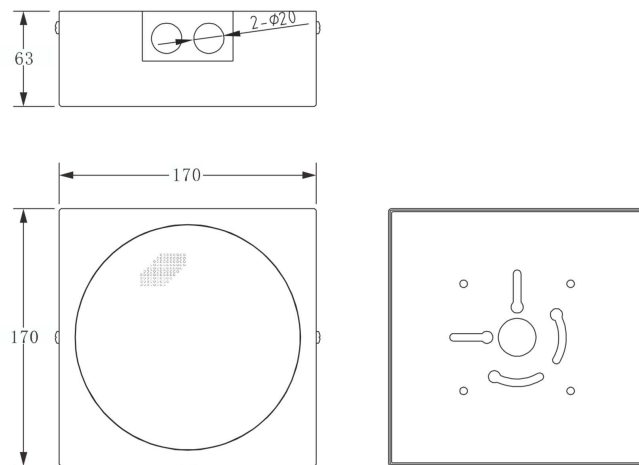
<b>Gross weight</b>	1.58 Kg / 19,56 Kg
<b>Packaging Dimensions</b>	80 x 185 x 185 mm / 485 x 375 x 210 mm (12 uds)

- The reference axis is perpendicular to the center point of the grid
- The reference plane is perpendicular to the center of the reference axis
- The horizontal plane is perpendicular to the center of the reference plane
- Acoustic measurement environment used: Standard acoustic screen in anechoic chamber

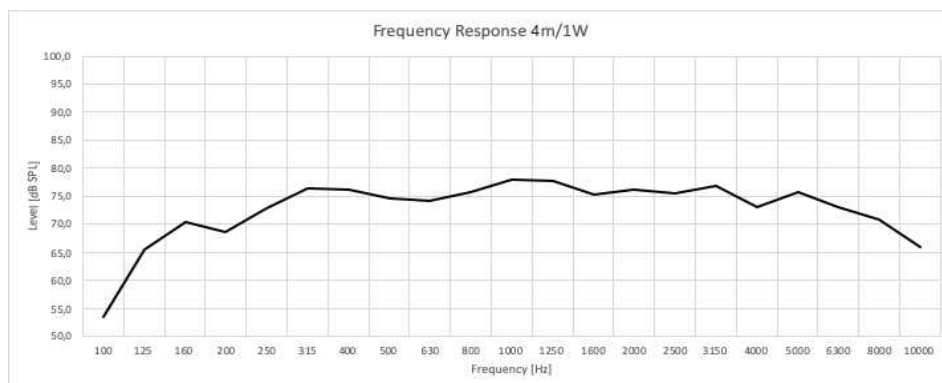
### Conection diagram:



### Main mechanical views:



### Frequency response:



Active Eq. applied: +1,1dB@630Hz, +2dB@4KHz

### Installation:

1. Attach the unit to the surface where it is designed to be installed and select the desired operating tap power
2. If necessary, remove one or both of the plugs that give access to the inside of the unit to enter the 100V cables.
3. If the connection is through the upper holes provided, protect the cable using a PG-13.5 hose and cable gland or conduit pipe (not supplied).
4. Close the unit using the two side screws