



# CI-225T



The CI-225T is a high performance column speaker for professional installations.

Its stylized design allows to adapt it to all environments in addition to IP protection. The CI-225T can be installed on the wall or columns. For that reason, it has a bracket which holds the acoustic box in vertical or horizontal position and rotates it 180° around itself.

The 2 drivers of 2,5" contained inside give a high fidelity of sound to any installation by means of the adaptable acoustic design.

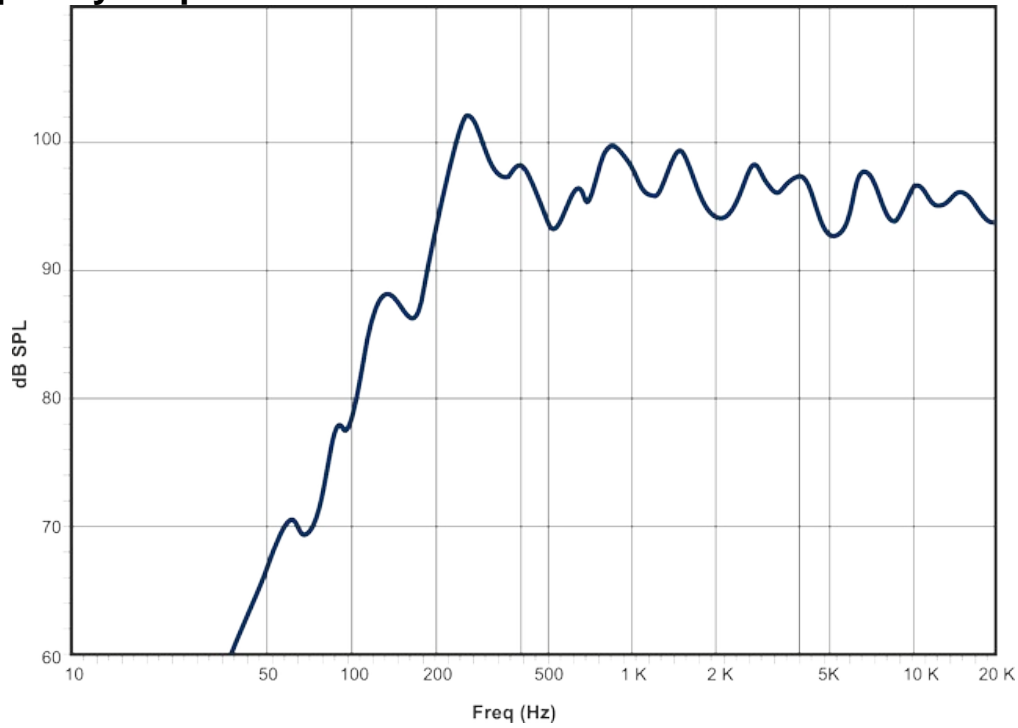
## Applications:

- Public Address System
- Shopping centres
- Stations
- Conference and fair centres
- Airports

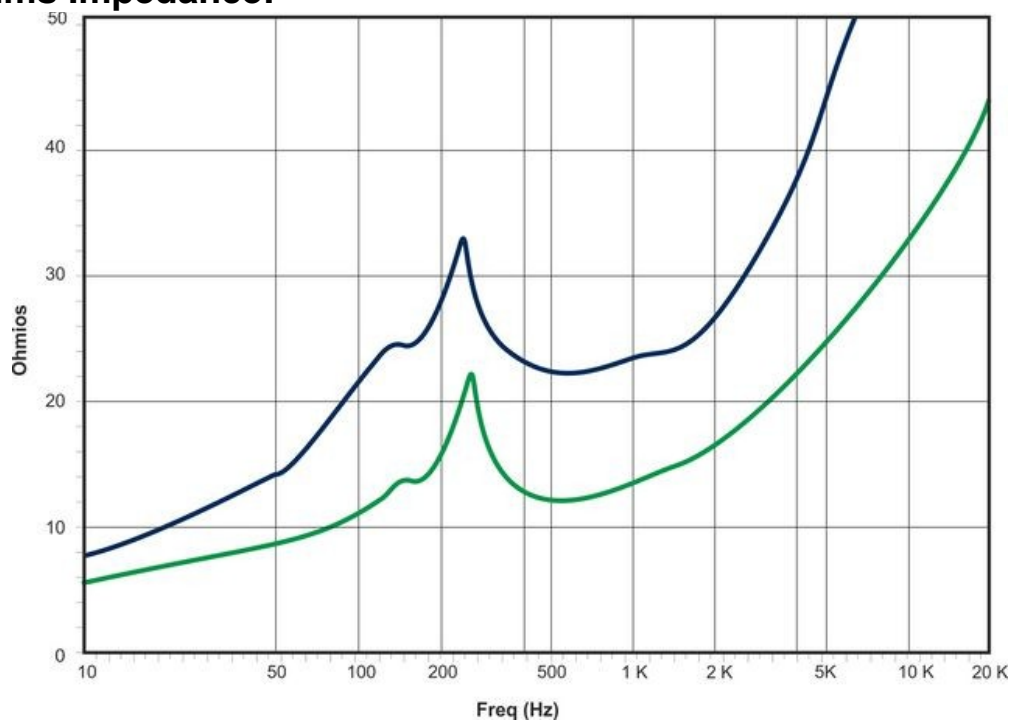
TECHNICAL SPECIFICATIONS	
MAXIMUM POWER DRIVER	10W RMS
NOMINAL IMPEDANCE DRIVER	8 Ohms
FREQUENCY RESPONSE	170Hz- 20kHz
SENSITIVITY	88dB +/-3dB (1W, 1m)
GRILLE	Metallic and acoustically transparent
CASING	Aluminium
COLOUR	White RAL 9016
INPUT LINE	70 /100 V
TRANSFORMER	5 / 10 W @ 100V
POWER SELECTOR	2,5 / 5W @70V 5 / 10W @ 100V
DRIVER	2 drivers de 2,5"
BRACKET (ANGLE OF INSTALATION)	2 square pieces (15°)
DIMENSIONS(height x width x depth)	262 x 106 x 75 mm
WEIGHT	1,34 kg

## Added information about the product:

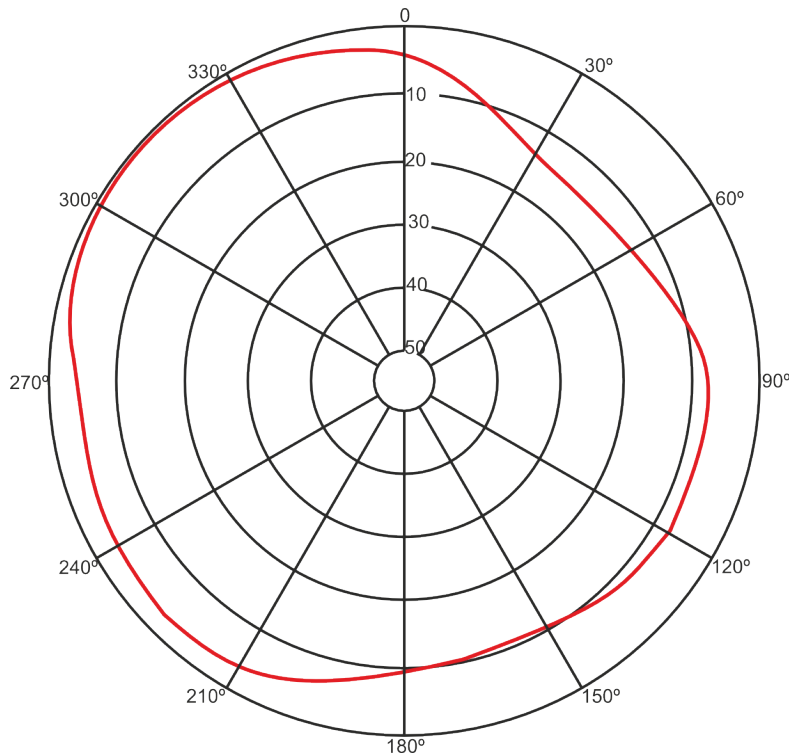
### Frequency response:



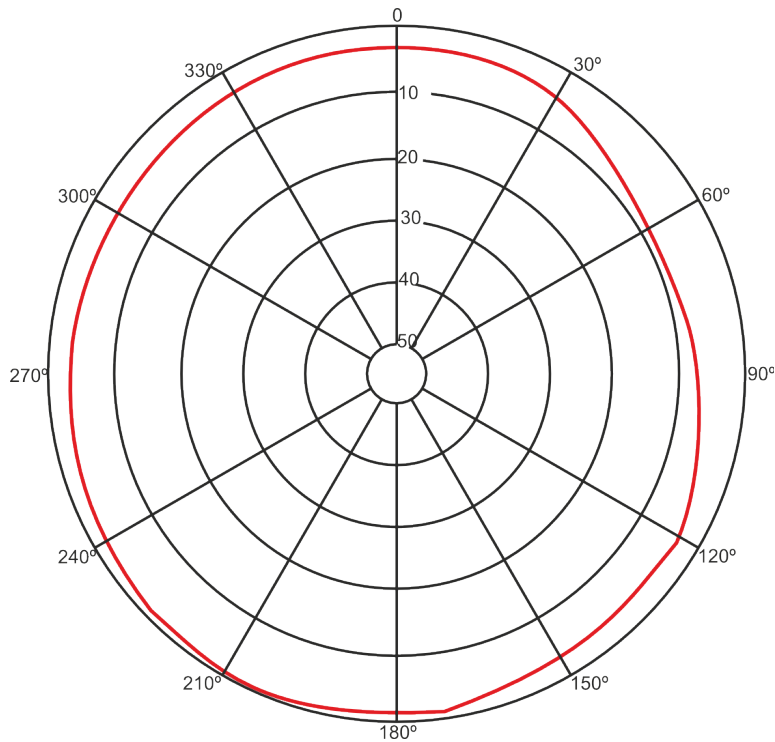
### 8 Ohms Impedance:



## Vertical Polar Diagram Frequency: 1 KHz

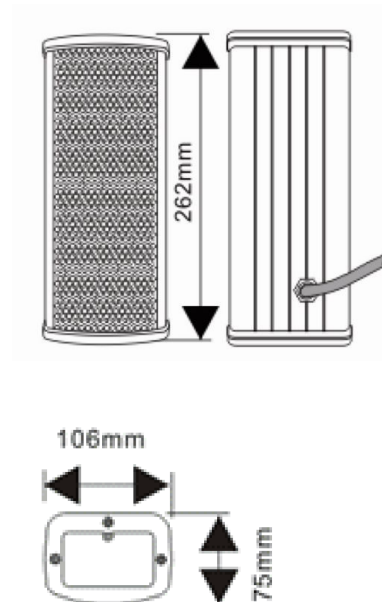


## Horizontal Polar Diagram Frequency: 1 KHz



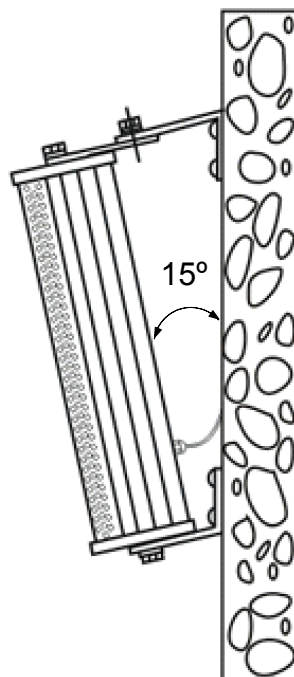
## Mechanical drawings:

### Dimensions (mm)



### Installation:

The speaker fixing with the bracket is made by screws



The CI-225 is hung on the wall with a lean of 15° through the bracket which is holding it

It can rotate over itself 180° after being installed

## SPECIFICATIONS FOR ENGINEERS AND ARCHTECTS

The CI-225 will have column shape and contain 2 drivers of 2,5". It will be installed shuch vertical as horizontal postion.

The beam-width bill be 180° x 90°. The power will be selected by a 70/100 V line selector giving powers 5/10W.

The box will be made of metallic material for fire protection. The front will be of ABS and contatin a metallic grille which will be acoustically transparent. The IP protection will be applied such the box as the drivers.

The dimensions will be: 262 x 106 x 75 mm (height x width x depth).

The bracket will allow the acoustic box installation by screws, which will be place at the top and bottom of the rear side.

The weight will be 1.34 Kg.

All the versions of this product will comply the CE mark.

**Warranty** 2 years

**Product Code** LDACI225TS01

### Sound test:

#### 1. Power

Pink noise is introduced and amplified through whole band-width under lec 60268-5 Standard. When the maximum power of the speaker is reached, the noise is cut. Then, the speaker is checked. It must not present visible damages or losts of features after 100 hours of working.

#### 2. Sensitivity, frequency range and impedance.

Several sinusoidal impulses with different frequencies are introduced since 1W power up to the nominal impedance of the speaker. The average sound pressure level (dB-SPL) is measured to 1 metre of distance and the speaker is placed in an anechoic environment.

According to IEC 60268-11 Standard.