

CI-225TN

EN 54 -24

CI-225TN is a high-performance 20 W voice alarm column loudspeaker for outdoor use. It complies with EN54-24 for voice alarm.

It provides a broad frequency response range, low distortion and high sound pressure level for accurate and intelligible broadcast of evacuation messages and high quality sound reproduction. Its low-profile, white color design blends easily with most interiors in locations such as hotels, conference rooms, cinemas, theme parks, factories and exhibitions.



Features of the CI-225TN:

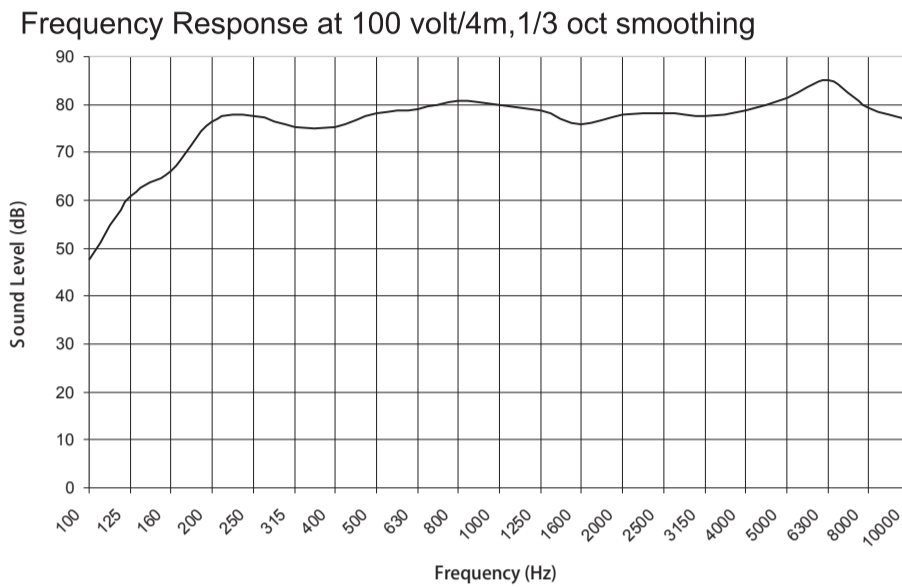
- Intelligible voice and superior sound reproduction
- Robust aluminum housing
- Supplied with universal swivel bracket for easy angle adjustment
- Able to be switched between 100V and 70V
- Adapts to extreme environment
- Complies with EN54-24 standard

Technical Specifications:

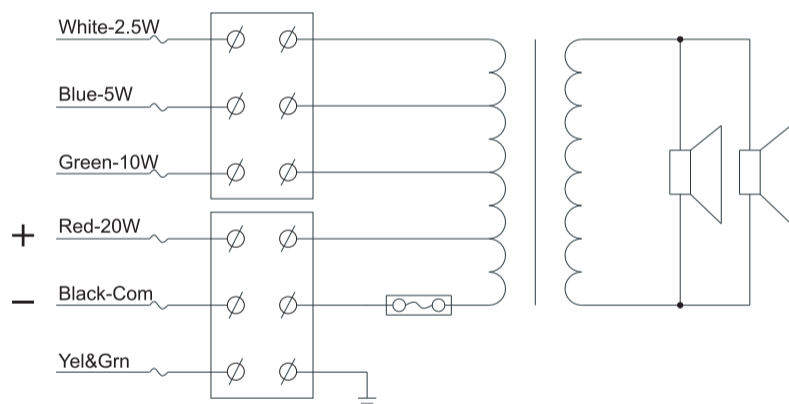
| Model | CI-225TN | |
|-----------------------------|---------------------------------|------------------------------|
| Max power | 30 W | |
| Rated power | 20 W | |
| Power tapping | 20W / 10 W / 5 W / 2.5 W | |
| SPL at 1W/40W (100Hz-10kHz) | 103dB (20W/1m) 91dB (20W/4m) | 91dB (1W/1m) 79dB (1W/4m) |
| Frequency response (-10 dB) | 300 Hz ~ 15 kHz | |
| Rated input voltage | 100 V / 70 V | |
| Rated impedance | 500 Ω / 1kΩ / 2k Ω / 4k Ω | |
| Connection | fire-resistant cable | |
| Dimensions | 165 mm x 150 mm x 344 mm | |
| Weight | 3.75 kg | |
| Color | White(RAL9003) | |
| Speaker driver | 4" x 2 drivers | |
| Operating temperature | -25 °C to +55 °C | |

- * The reference axis is perpendicular to the centre point of the front grille
- * The reference plane is perpendicular to the centre of the reference axis
- * The horizontal plane is perpendicular to the centre of the reference plane
- * The spec/data was measured using a standard baffle mounting in an anechoic chamber as described in EN54-24

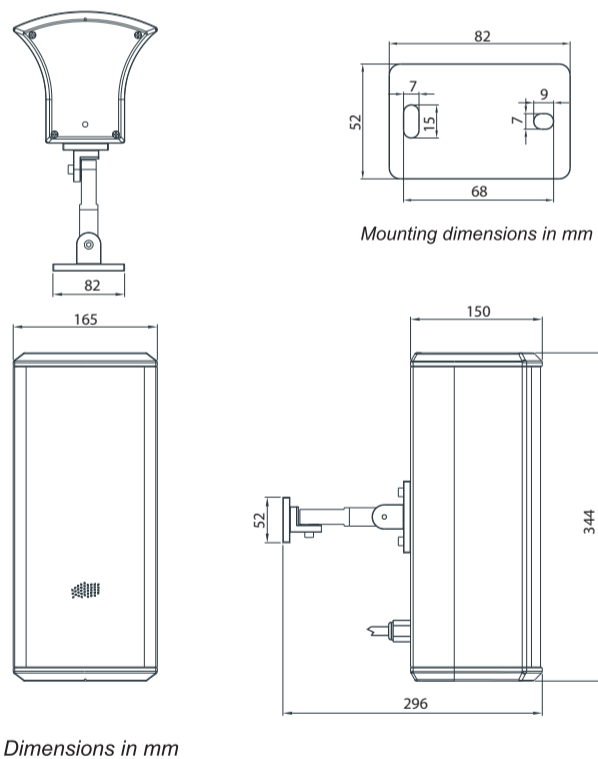
Frequency response:



Circuit Diagram:



Views:



Dispersion angles:

| | | Horizontal | Vertical |
|---------------------|-------|------------|----------|
| 1/3 oct. pink noise | 500Hz | 195° | 144° |
| 1/3 oct. pink noise | 1k Hz | 146° | 87° |
| 1/3 oct. pink noise | 2k Hz | 107° | 96° |
| 1/3 oct. pink noise | 4k Hz | 133° | 25° |

CI-225TN

Installation Instructions and Configuration:

Mounting

The universal swivel bracket installed in the sliding slot allows quick installation and angle adjustment. Optionally, U-bracket can also be used to achieve the same purpose. Power tapping can be selected or changed after installation.

Power Setting

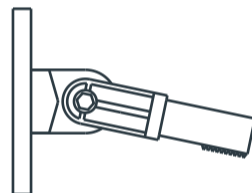
The product comes with a one-meter, fire-resistant six-core cable already attached to the ceramic connector. The cable is a bundle of wires color-coordinated corresponding to the different power taps of the transformer.

Installation Instructions

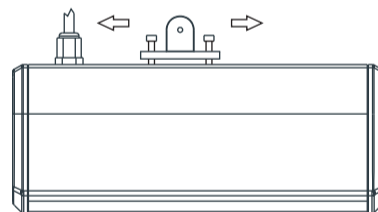
1. The swivel bracket is made up of three separate pieces. Disassemble the piece that will be mounted on the wall from the other piece. Attach this piece to the wall at desirable location.



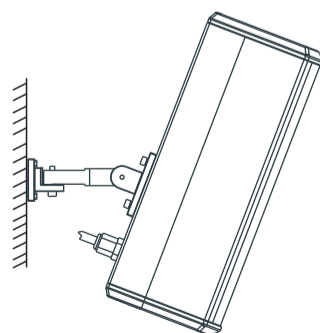
2. Adjust the bracket's angle, and tighten the screw.





3. Loosen the bracket in the slot on the back of the column. Slide the bracket in the slot to the desired position and tighten the screw.



4. Attach the assembly to the piece of bracket that is mounted on the wall. Adjust it to the desired angle and then tighten the screw. Choose the right tapping according to the color of the audio input line.



| | | | | | | | |
|---|-----|---|------|-------|-------|---------|---|
|  | | LDACI225TNS01 Column Loudspeaker EN54- 24 Type B | | | | | |
| Transformer Power Tapping: | | | | | | |  |
| | Red | Green | Blue | White | Black | Yel&Grn | |
| IMP(Ω) | 500 | 1K | 2K | 4K | | | |
| 100V | 20W | 10W | 5W | 2.5W | Com | GND | |
| 70V | 10W | 5W | 2.5W | 1.25W | | | |
| Other technical data see LDACI225TNS01_M1_V1.1 | | | | | | | 0359 18 LDA, Málaga, SPAIN 0359-CPR-00675 DoP No.: CPR-DoP-2018002 |